

4-in 1-out DVI Switcher

Operation Manual



CDVI-41

Introduction

Cypress CDVI-41 is a high performance DVI switcher with remote control. It allows your various DVI sources to share one DVI display.

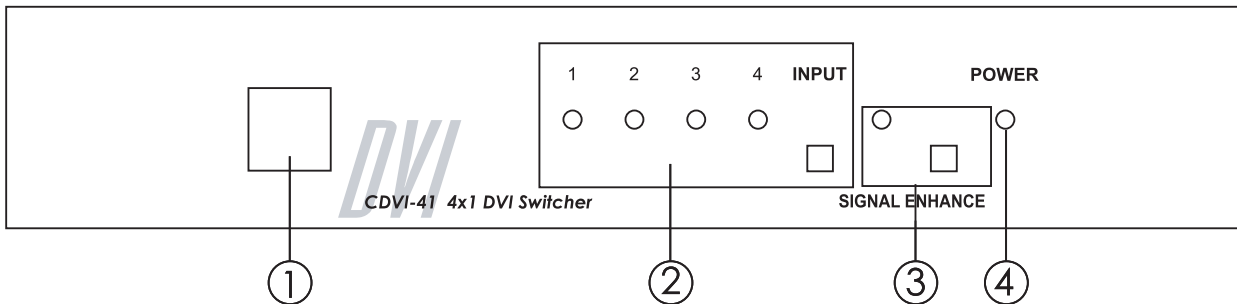
Simply pressing one button to select your desired DVI source for display on the HDTV.

Features

- * HDMI 1.1, HDCP 1.1 and DVI 1.0 compliant.
- * Signal enhancement feature allows you to improve signal quality after long distance transmission.
- * LED indicators.
- * Ideal for home theater integration.
- * Supports high resolution input:
PC: VGA, SVGA, XGA, SXGA, and UXGA (1600 x 1200) &
HDTV: 480i, 576i, 480p, 576p, 720p, 1080i, and 1080p
- * Remote control.
- * Easy to install and simple to operate.

Operation Controls and Functions

Front Panel



1. Remote control sensor.

2. Input select/Indicators: Press the "INPUT" button repeatedly to switch to your desired input source and the LED will illuminate to indicate which input source is being selected.

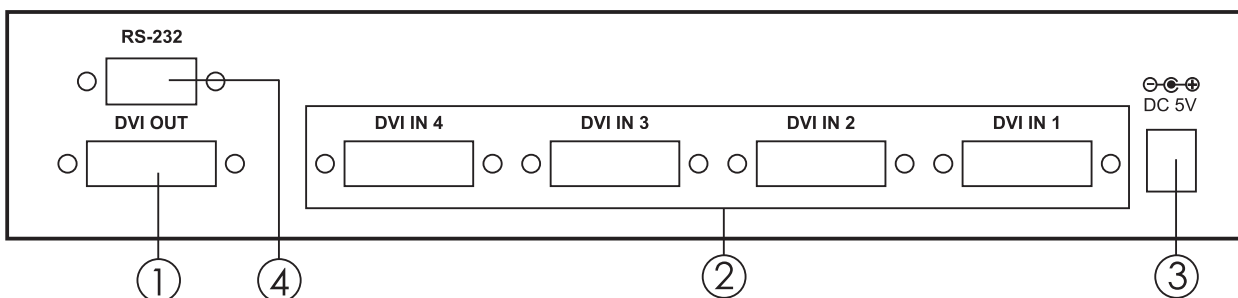
3. Signal Enhancement/Indicator: Press the "Signal Enhance" button to turn on this feature to improve signal quality after long distance transmission.

Press again to turn off. The LED will illuminate when the signal is enhanced.

4. Power LED Indicator: The LED will illuminate when the power is connected.

Operation Controls and Functions

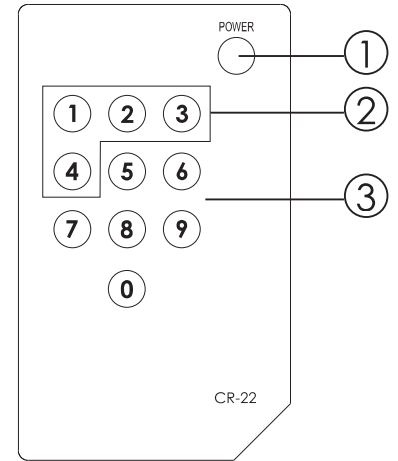
Rear Panel



1. **DVI output:** Connect the DVI output to the DVI input of your display using a DVI cable.
2. **DVI inputs:** Connect your various DVI sources to each of the DVI input of the unit using DVI cables.
3. **Power:** Plug the supplied 5VDC power supply into the unit.
4. **RS232:** 9-pin D-sub female connector for connecting to your other control console for remote control.

Remote Control

1. Power:
Press the button to turn on/off the unit.
2. Direct input selector:
Press numerical number button to select your desired input source.
3. Void buttons (No function). If the button number is greater than the total input number of the unit then the button is of no function.



Specifications

- * Frequency bandwidth: 1.65Gbps(single link)
- * Inputs: 4 x DVI female ports (Type A connector)
- * Output: 1 x DVI female port (single link)
- * 5VDC universal power supply
- * Weight: 1kg
- * Dimension: 240(W) x104(D) x 44(H)mm

RS-232 Remote Control Protocol

The connection between splitter and remote controller with **RS-232 modem cable**.
 ns definition of modem cable

Splitter		Remote Controller	
PIN	Definition	PIN	Definition
1	NC	1	NC
2	T xD	2	R xD
3	R x D	3	T x D
4	NC	4	NC
5	GND	5	GND
6	NC	6	NC
7	NC	7	NC
8	NC	8	NC
9	NC	9	NC

RS-232 transmission format:
 Baud Rate : 9600 bps
 Data Bit : 8 Bits
 Parity: None
 Stop Bit: 1 bit

RS-232 command

- * The command is combined with a characters and diaits.
- * This combination command code has to be separated by ASCII character SPACE
- * The command will be executed after ASCII character "CR" input
- * After ASCII character "CR" is entered, if the command is leaal the unit will reply "OK" messaae
- * If the command is illeaal, The unit will replv "NG" messaae

Command Code	Comment
PORT 1	PORT 1 ON
PORT 2	PORT 2 ON
PORT 3	PORT 3 ON
PORT 4	PORT 4 ON
SIGNAL 1	ENABLE SIGNAL ENHANCE
SIGNAL 0	DISABLE SIGNAL ENHANCE
POWER 1	POWER ON
POWER 0	POWER OFF

Connection and Installation

