

# HDTV Distributor up to 1080p/UXGA

**CHDD-3 is a high performance and versatile distribution amplifier for delivering both HD and SD video to your multiple display units.**

## Operation Manual



## Application

The CHDD-3 is capable of distributing video in 3 different formats and is ideal for use in analog video entertainment distribution system.

## Features

- Component/ composite or RGB distribution amplifier.
- Supports SD (composite, YCbCr) and HDTV (YPbPr, RGsB) input signal.
- Accepts one component input and splits the input to 3 identical and buffered outputs via 3x3 RCA connectors.
- When input is composite video, it can connect up to 3 different video sources and output three identical and buffered signal for each video input.
- It can be used for presentation and home theater application.
- High bandwidth performance - 480MHz bandwidth at -3dB
- Worldwide power supply

## This package includes

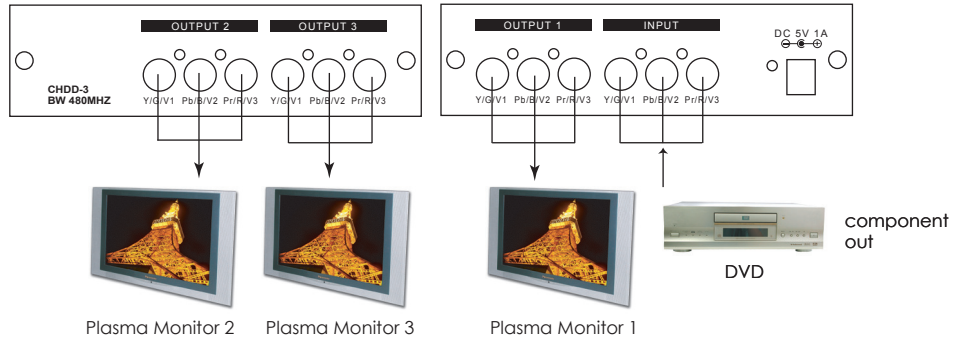
- One CHDD-3 unit.
- One set of power supply
- One user manual
- One set of 3BNC male to 3BNC male cable

## Specifications

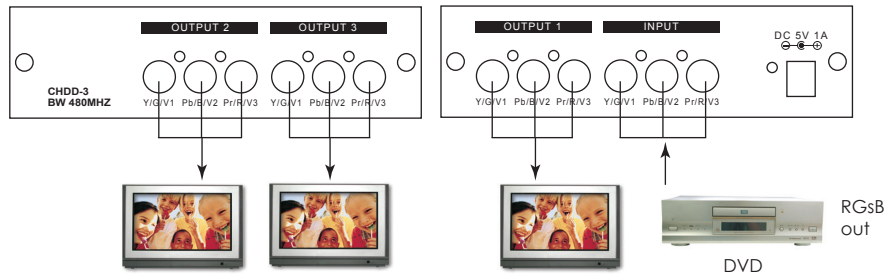
- \* Input: YPbPr x 1 or RGsB x 1 (or RGBHV), or composite x 3 1 Vp-p@ 75 ohm
  - \* Output: YPbPr x 3, or RGsB(or RGBHV) x 3, or composite 3 x 3
  - \* Horizontal/Vertical sync 5Vp-p max and H frequency 10KHz~100KHz, V frequency 20Hz~200Hz.
  - \* Bandwidth: 480MHz (-3dB)
  - \* Differential gain: 0.05%
  - \* Differential phase: 0.05 degree
  - \* Power: 5V 2A~1A
  - \* Dimension:141(W) x 38(D) x 105(H)mm
  - \* Weight: 550gs
- Also available: CHDD-3A with audio.

## Connection and Installation

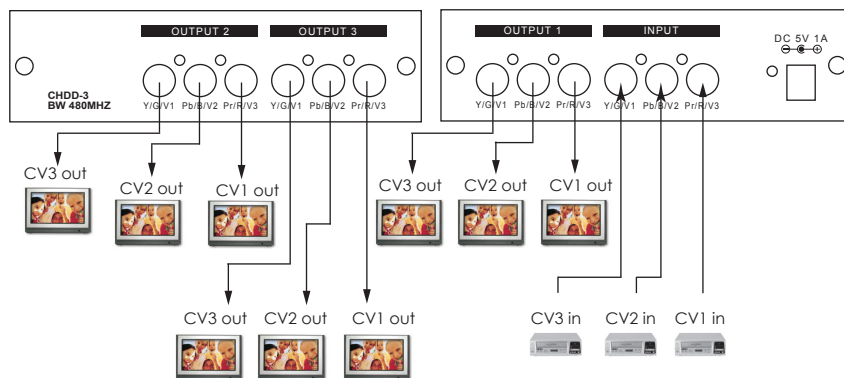
### 1. Works as a 1-in 3-out distribution amplifier for HD component source(YPbPr).



### 2. Works as a 1-in 3-out distribution amplifier for HD RGB (Sync on Green) video source.



### 3. Works as a three 1-in 3-out distribution amplifier for composite video source.



MPM-CHDD3