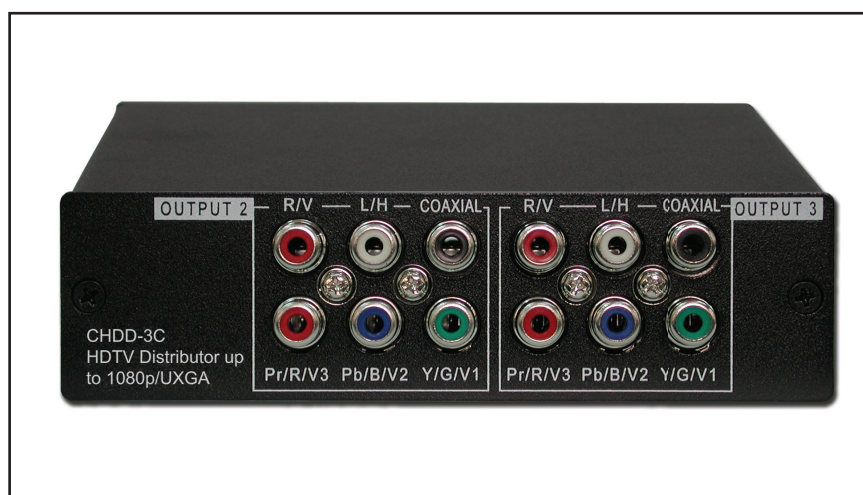


# HDTV Distributor up to 1080p/UXGA

CHDD-3C is a high performance and versatile distribution amplifier for delivering both HD and SD video with digital/analog audio to your multiple display units.

## Operation Manual



## Applications

The CHDD-3C is capable of distributing video in 3 different formats and is ideal for use in any analog video entertainment distribution system.

## Features

- Component / composite or RGB distribution amplifier.
- Supports SD (composite, YCbCr) and HDTV (YPbPr, RGsB) input signal.
- Accepts one component input and split the input to 3 identical and buffered outputs via 3x3 RCA connectors.
- When input is composite video, it can connect up to 3 different video sources and output three identical and buffered signal for each video input.
- It can be used for presentation and home theater application.
- High bandwidth performance - 480MHz bandwidth at - 3dB
- Worldwide power supply

## Package Contents

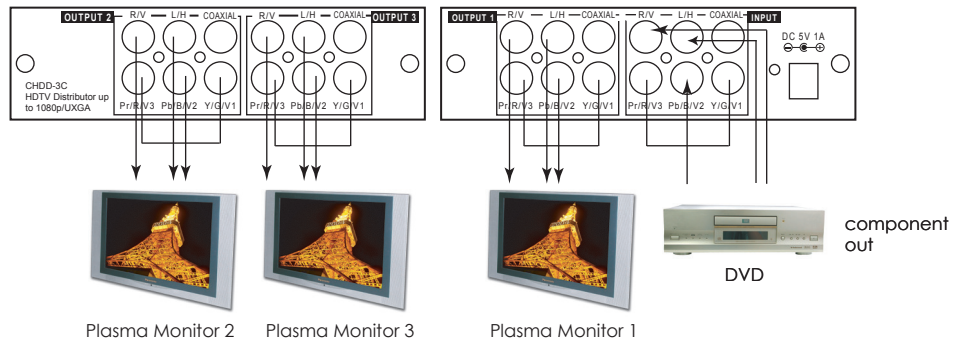
- One CHDD-3C unit.
- One set of power supply
- One user manual
- One set of 2R to 2R male audio cable
- One set of 1R to 1R male video cable
- One set of 3RCA male to 3RCA male cable

## Specifications

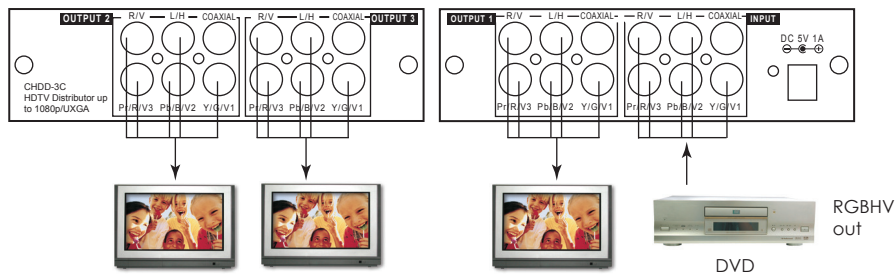
- \* Input: YPbPr x 1 or RGsB x 1 (or RGBHV),  
or composite x 3 1 Vp-p@ 75 ohm
- \* Output: YPbPr x 3, or RGsB(or RGBHV) x 3, or composite 3 x 3
- \* Audio Input: Coaxial (S/PDIF) x 1 + R/L x 1
- \* Audio Output: Coaxial (S/PDIF) x 3 + R/L x 3
- \* Analog Audio Input / Output: Audio 2 Vrms max 47k ohm.
- \* Horizontal / Vertical sync 5Vp-p max and H frequency 10KHz~100KHz, V frequency 20Hz~200Hz.
- \* Bandwidth: 480MHz (-3dB)
- \* Differential Gain: 0.05%
- \* Differential Phase: 0.05 degree
- \* Power: 5V 2A~1A
- \* Dimension(mm):141(W) x 38(D) x 105(H)
- \* Weight(g): 550

## Connection and Installation

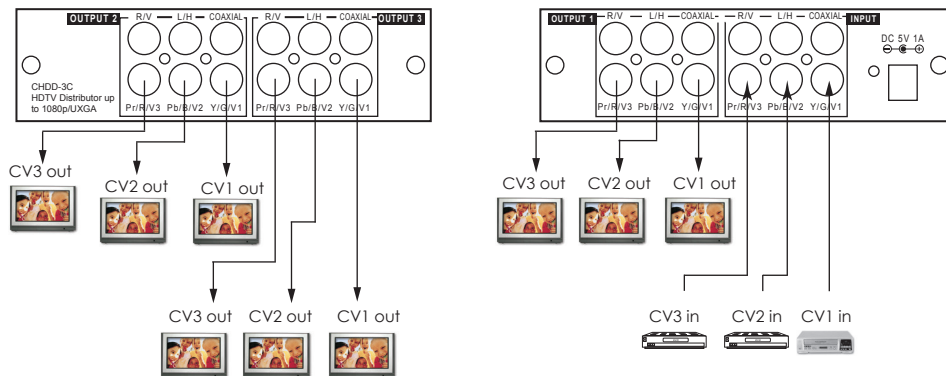
### 1. Works as a 1-in 3-out distribution amplifier for HD component source(YPbPr).



### 2. Works as a 1-in 3-out distribution amplifier for HD RGBHV video source.



### 3. Works as a three 1-in 3-out distribution amplifier for composite video source.





**CYPRESS TECHNOLOGY CO., LTD.**  
Home page: <http://www.cypress.com.tw>

2008.1.15 MPM-CHDD3C