

Multimedia Scaler Box

Operation Manual



Introduction

Thank you for purchasing CM-345T. The product you have purchased has been carefully engineered and manufactured to bring you dependable operation. Read this manual before operating this unit to get familiar with its features and obtain the performance that will bring you a lot of enjoyment for many years. Please retain this manual for future reference.

Precautions

When use this product, basic safety precautions should always be followed to reduce the risk of fire and electric shock, including the following:

Read and understand all instructions marked on this product.

To prevent fire or shock hazard, do not expose this product to rain moisture. Do not use near a bath tub, wash bowl, sink, or laundry; do not use in a wet environment or nearby a swimming pool.

To avoid electrical shock, do not open the case of the product.

Operate this product using only the power supply included with it or provided as an accessory. If you are not sure of the type of power supplied to your home, consult your dealer or local power company.

Do not overload electrical outlets or extension cords as this can result in fire or electric shock.

The unit should be situated away from heat sources such as radiators, fireplace, etc.

Specifications

Audio Input: 1 x PC stereo phone jack 350m Vrms.

1 x Video stereo phone jack 350m Vrms.

Audio Output: 1 x stereo Audio phone jack 350m Vrms.

Video Input: 1Vp-p@ 75 ohm

S-Video Input: Y: 1Vp-p@ 75 ohm

C: 0.286 Vp-p @ 75 ohm

YCbCr Input: 3 x RCA

RF Input: 75 ohm Coaxial Cable

PC Input: 0.7 Vp-p R.G.B. plus H&V Sync. 3~5 Vp-p.

PC Output to Display Monitor : 0.7 Vp-p R.G.B. plus H&V Sync. 3.3 Vp-p.

Power Supply: DC12V@500~800 mA

Unit weight: 644 grams

Dimensions: 226(D) X 165(W) X 46(H) mm.

③ Input Selection:

Press the button repeatedly will toggle through five input sources available for your selection.

The sequence of selection by repeatedly pressing the button is as below:

TV(RF)→ Composite Video→ S-Video→YCbCr →PC Bypass

④ MENU / ENTER

Press the button to enter into OSD menu or to confirm your selection of the highlighted parameter.

⑤ CH ▲ / ▼ :

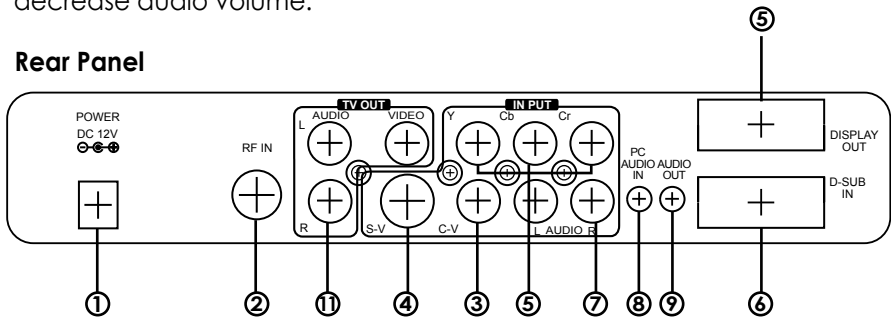
When not in OSD menu mode, press the button to increase (▲) or decrease (▼) the TV channel number.

When in OSD mode. Press the button to move up or down the highlight bar to your desired parameter. Or after a parameter been selected by MENU/Enter button, press the button to alter the value of your selected parameter.

⑥ [MENU]+[CH+,-]:

Press [MENU] and [CH+] or [CH-] simultaneously to increase or decrease audio volume.

Rear Panel



1. Power socket: 12V 800mA DC input.
2. RF-IN: Terrestrial VHF/UHF Antenna input or CATV coaxial cable input.
3. C-Video input: Composite video input.
4. S-Video input: S-Video input.
5. YCbCr input: connects to the YCbCr output of source device such as DVD, Set - top - box....
6. PC-IN: 15-pin D-Sub PC VGA input.
7. Audio: Stereo audio input.
8. PC audio in: 3.5mm PC audio input.
9. Audio out: 3.5mm PC audio output.
10. VGA out: 15-pin D-Sub VGA output.
11. TV out: Video and stereo audio out for TV/Cable input.



Installation

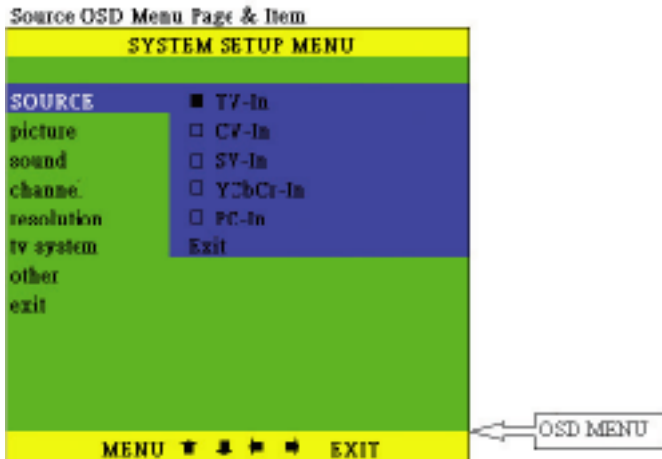
Power up the unit:

1. Plug the power jack into the power socket on the back of the unit, the power LED will illuminate in red color(Standby mode).
2. Press the power button, power LED will turn into green light.(operation mode)
3. Press the power button again will return to standby mode.
4. When the unit first powered up the default input to the unit is TV(RF) input. When you changed input source and later power down the unit the last input source you selected will be memorized by the unit. When you re-power the unit the memorized input will be recalled as input source.

OSD operation:

After power- on the unit. Press the Menu button will bring up the main menu page to your screen as below:

Use  buttons on the remote or  button on top panel to move highlighted bar to your desired parameter. press MENU / ENTER to enter into sub-menu, and use + - , to move to your desired selection. When a parameter is selected, its color will be inverted.

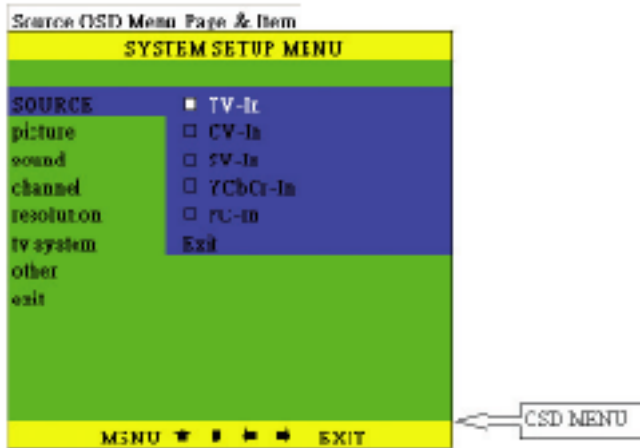


Use channel  to move up or down the high-light bar to your desired parameter. Press MENU/ENTER to confirm your selection.

To adjust the setting value of your selected parameter, press " + " to increase the value. Press " - " to decrease the value.

Installation

On the source Sub-menu, you can choose input from TV, CV, SV, YCbCr, and PC pass through.



On the picture Sub-menu, you can adjust setting value of the following parameter. Use channel up or down to select your desired adjustment parameter.

Brightness: Use volume +/- to increase or decrease brightness level.

The adjustment range is 1 (least bright), to 100 (most bright)

Contrast: Use volume +/- to increase or decrease contrast level.

The adjustment range is 1 (least contrast) to 100 (most contrast).

Color(1-100): Use volume +/- to increase or decrease color saturation level.

Tint(NTSC only): Use volume +/- to increase or decrease Tint level.

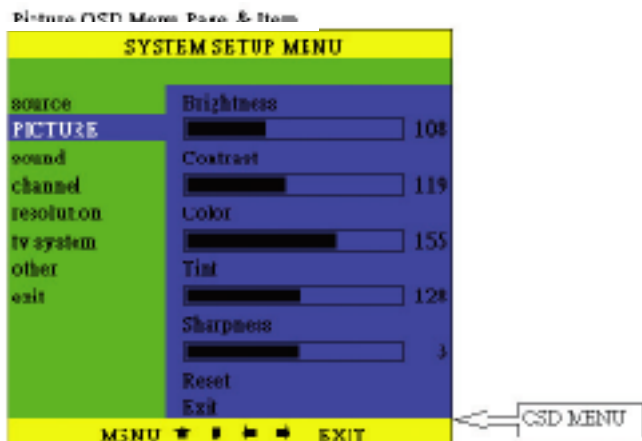
The adjustment range is -50 ~ +50.

Sharpness: Use volume +/- to increase or decrease the sharpness level.

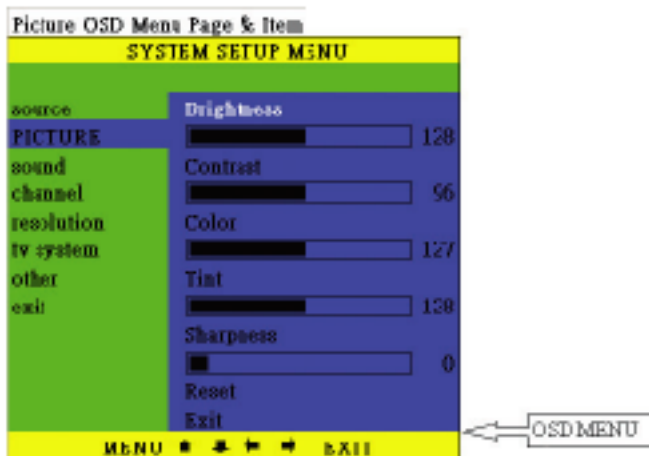
The adjustment range is 1~16.

Reset: To recall the preset default value.

Exit: Return to previous Menu page.



Installation



On the sound Sub-menu, you can adjust the volume of the audio out, or to "mute" audio out.

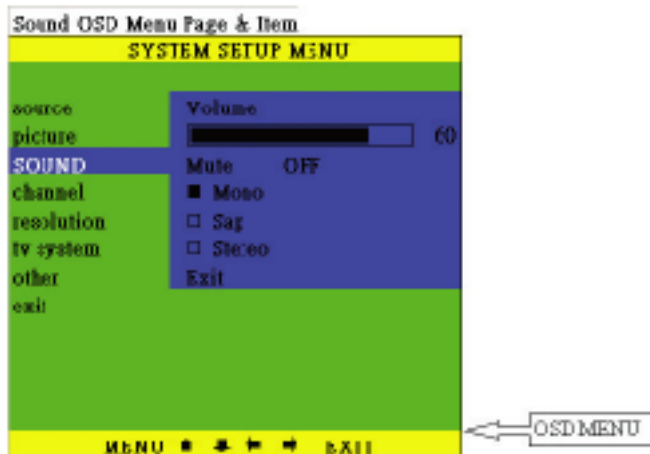
you can also select:

Mono: L+R on both left and right channel

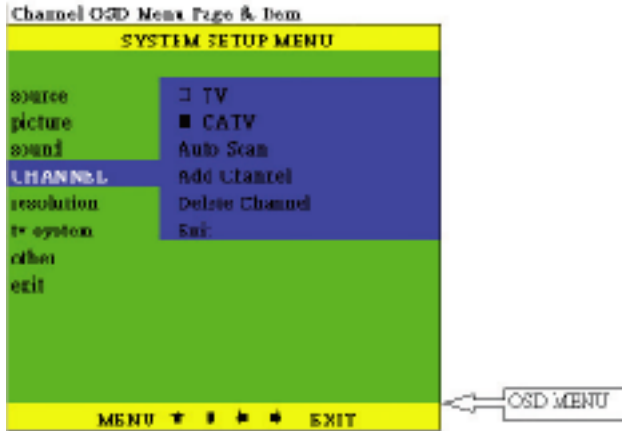
Sap: Second Audio Program

Stereo: Audio output in stereo L/R

EXIT



Installation



On channel Sub-menu, Select **TV** for receiving Terrestrial VHF/UHF broadcasting channel. Select **CATV** if the unit is connect to a CATV coaxial cable.

Auto scan - the unit will search through all channels contained in the RF cable. Once a channel is found it will be stored in the memory and can be recalled later by pressing channel up or down button or by pressing channel number directly.

Delete Channel :

To remove a channel from your channel up-down memory list. Once a channel is deleted, it will be skipped from your channel up/down selection.

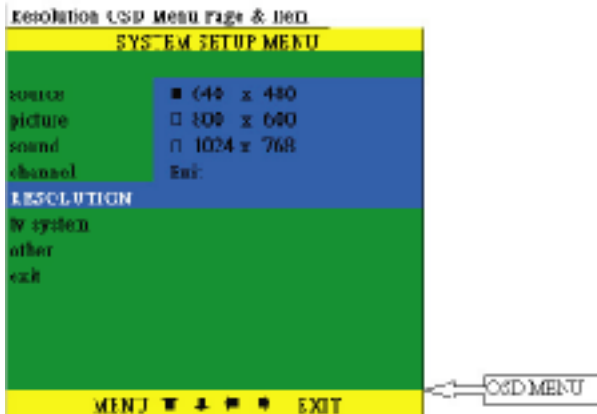
The only way to recall the channel is to press its channel number directly, or add it back to channel list.

ADD Channel :

To add a channel into your channel up-down memory list. Once a channel is added to the list, it can be called up by pressing channel up/down button.

Exit: Return to the last menu page.

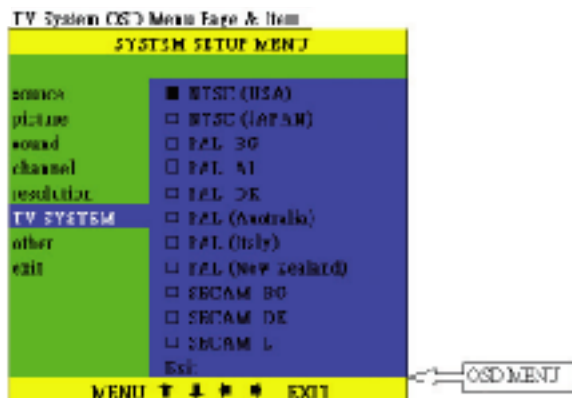
P.S. Channel Delete and Add only work after channel search is carried out.



In Resolution Sub-menu, you can select output resolution from: 640 X 480, 800 X 600, or 1024 X 768.

Installation

On TV system Sub-menu, find out what aerial or CATV systems are available at your premise and make sure your antenna/cable are connected to the RF input of the CM-345T. The table below shows worldwide countries and their respective TV/CATV systems. Select the correct System and Type that corresponds to the country you are located.



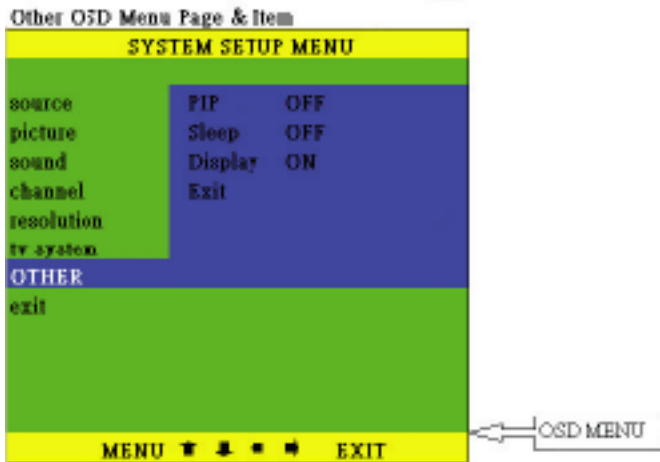
Country	System	Type
Australia	PAL	AUS
Brazil	NTSC	US <input type="checkbox"/>
Canada	NTSC	US <input type="checkbox"/>
Chile	NTSC	US <input type="checkbox"/>
China	PAL	D/K
Denmark	PAL	B/G
France	SECAM	L
Germany	PAL	B/G
Hong Kong	PAL	I
India	PAL	B/G
Italy	PAL	ITALY
Japan <input type="checkbox"/>	NTSC	JAPAN
Korea (South)	NTSC	US
New Zealand	PAL	NZ <input type="checkbox"/>
Philippines	NTSC	US
Portugal	PAL	B/G
Russia <input type="checkbox"/> <input type="checkbox"/>	SECAM	D/K
Saudi Arabia	SECAM	B/G
Singapore	PAL	B/G
South Africa	PAL	I
Spain	PAL	B/G
Sweden	PAL	B/G
Switzerland	PAL	B/G
Taiwan	NTSC	US
Thailand	PAL	B/G
United Kingdom	PAL	I
U.S.A	NTSC	US

Installation

On "OTHER" Sub-menu, there are three parameters for adjustment,

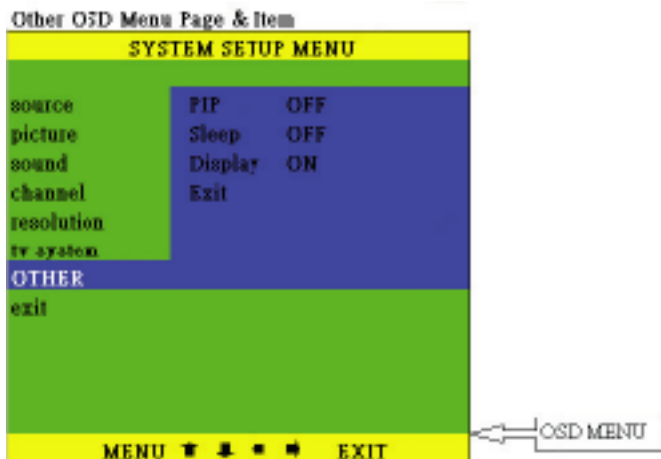
PIP: To turn ON or OFF the PIP window on the screen.

Sleep: Set a pre-determined time for machine to automatically turn off when timing is up.



Display: Set " ON " to display the input/output information on the screen.

Function	Selection			
PIP	OFF	1/4	1/9	1/16
Selep	OFF	10, 20.....120 minutes		
Display	ON	OFF		



Remote Control Panel

① INPUT :

Press the button repeatedly to select desired input source from TV、C-VIDEO、S-VIDEO、YCbCr、PC.

② **TV/CATV** : Press the button to select aerial channel or cable channel.

③ **DISPLAY** : Press the button to turn on or off "OSD" display of input source on the screen.

④ **POWER** : Power ON/OFF button.

⑤ **0~100** : Press numerical keys to select desired TV/CATV channel directly.

⑥ **TV ↔ PC** : Press the button for a quick switch between TV and PC.

⑦ **RECALL** : Press the button to recall last memory.

⑧ **MUTE** : Press the button to mute the audio.

⑨ **VOL ▲▼** : Press ▲ or ▼ button to increase / decrease audio volume.

⑩ **CH ▲▼** : Press ▲ or ▼ button to increase / decrease channel number.

⑪ **SLEEP** : Press the button to set a predetermined time (10→ 120 minutes) for automatically turning off the machine.

⑫ **RESOLUTION** : Select between 640X480VGA, 800X600 SVGA, and 1024X768 XGA.

⑬ **MTS** : Press the button to choose Stereo, SAP or Mono audio.

⑭ **PIP-ZOOM** : Press the button to choose the size of Sub-window (PIP). PIP size can be made to 1/4、1/9 & 1/16、of the screen.

⑮ **PIP-INPUT** : Press the button to select desired input source from TV、C-VIDEO、S-VIDEO、YCbCr to be displayed on the sub-window.

⑯ **PIP-AUDIO** : For the sub-window, press the button to select audio input source from TV、C-VIDEO、S-VIDEO、YCbCr. The audio of sub-window can be swapped between Video and PC.

⑰ **MENU** : Press the button to enter into OSD menu.

⑱ **EXIT** : To exit OSD.

⑲ **ENTER** : Press the button to confirm your selection of the desired parameter.

⑳ **⬆️⬆️⬆️ MENU** : Up, Down, Left, and Right buttons for OSD adjustment, or adjustment of PIP window position.

