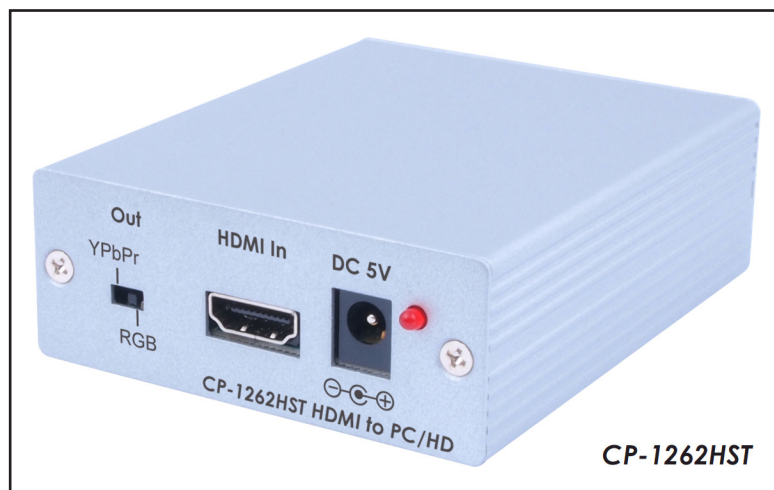


CP-1262HST

HDMI to PC/Component Converter with Audio Box

Operation Manual



• **Disclaimers**

The information in this manual has been carefully checked and is believed to be accurate. Cypress Technology assumes no responsibility for any infringements of patents or other rights of third parties which may result from its use.

Cypress Technology assumes no responsibility for any inaccuracies that may be contained in this document. Cypress also makes no commitment to update or to keep current the information contained in this document.

Cypress Technology reserves the right to make improvements to this document and/or product at any time and without notice.

• **Copyright Notice**

No part of this document may be reproduced, transmitted, transcribed, stored in a retrieval system, or any of its part translated into any language or computer file, in any form or by any means - electronic, mechanical, magnetic, optical, chemical, manual, or otherwise - without express written permission and consent from Cypress Technology.

© Copyright 2011 by Cypress Technology. All Rights Reserved.
Version 1.0 April 2011

• **Trademark Acknowledgments**

All products or service names mentioned in this document may be trademarks of the companies with which they are associated.

• **Safety Precautions**

Please read all instructions before attempting to unpack or install or operate this equipment, and before connecting the power supply. Please keep the following in mind as you unpack and install this equipment:

- Always follow basic safety precautions to reduce the risk of fire, electrical shock and injury to persons.
- To prevent fire or shock hazard, do not expose the unit to rain, moisture or install this product near water.
- Never spill liquid of any kind on or into this product.
- Never push an object of any kind into this product through module openings or empty slots, as you may damage parts.
- Do not attach the power supply cabling to building surfaces.
- Do not allow anything to rest on the power cabling or allow it to be abused by persons walking on it.
- To protect the equipment from overheating, do not block the slots and openings in the module housing that provide ventilation.

• **Revision History**

<u>Version No</u>	<u>Date</u>	<u>Summary of Change</u>
VR0	20110425	Preliminary Release

Table of Contents

1. Introduction.....	1
2. Applications.....	1
3. Package Contents	1
4. System Requirements.....	1
5. Features	1
6. Specifications	2
7. Operation Controls and Functions.....	4
7.1 Front Panel.....	4
7.2 Rear Panel	4
8. HDMI Connector Pin Assignment.....	5
9. Input/Output resolution.....	6
10. Connection and Installation	7
11. Acronyms	8

1. Introduction

This converter box is designed to convert HD signal to Analog PC or SD/HD timings. It enables to convert HDMI sources to any analog PC timing for PC monitor, Projector or TV. Its high bandwidth capability supports a wide range of PC and HDTV resolutions.

2. Applications

- Showroom environment
- Education demo
- Installation usage

3. Package Contents

- HDMI to PC/Component converter with audio box
- 5V DC power supply adaptor
- Operation Manual

4. System Requirements

Input source equipment such as computer or digital camera with HDMI port and output to PC monitor, Projector or TV.

5. Features

- HDMI v1.2 and DVI v1.0 compliant.
- Supports HDMI input and Analog PC or SD/HD output
- Supports output selection between YPbPr and RGBHV
- Supports input/output resolution as below:

PC: 640x480 = VGA@60, 72, 75, 85
800x600 = SVGA@56, 60, 72, 75, 85
1024x768 = XGA@60, 70, 75, 85
1152x864 = MAC@70, 75, 85
1280x768 = WXGA@60RB, 60
1280x800 = WXGA@60RB, 60, 75
1280x960 = @60, 85
1280x1024 = SXGA@60, 75, 85
1366x768 = WXGA@60RB, 60
1440x1050 = @60RB, 60
1440x900 = WXGA@60RB, 60, 75
1600x1200 = UXGA@60
1680x1050 = WSXGA+@60RB, 60
1920x1200 = WUXGA@60RB

- HD: 480i@60, 480p@60, 576i@50, 576p@50, 720p@50, 720p@60,
- 1080i@50, 1080i@60, 1080p@24, 1080p@50, 1080p@60
- HDMI input support 8-bits without Deep Color support
- HDMI input compatible with DVI format when using HDMI to DVI adaptor
- HDMI audio input support LPCM 2CH and sampling rate support from 32KHz to 96KHz.
- Component output support 720p, 1080i and 1080p tri-level sync
- Audio output support stereo R/L
- Built in EDID

Note: This product does not process HDCP input. When receiving content that has HDCP encryption there will be no video & audio output.

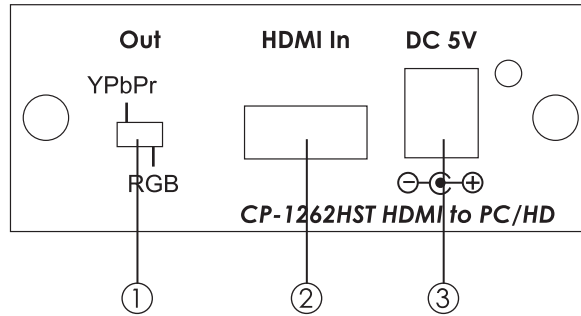
6. Specifications

Operation Frequency	Up to 162MHz
Input port	1 x HDMI
Output ports	1 x HD-15 D-SUB (YPbPr or RGBHV) 1 x Analog R/L 3.5mm phone jack
Output Signal	RGB: 0.7 Vp-p 75ohm H/V: 3 to 5 Vp-p Or Y: 1 Vp-p 75ohm Pb/Pr: 0.7Vp-p 75ohm
Input/Output Resolution	PC: 640x480 = VGA@60, 72, 75, 85 800x600 = SVGA@56, 60, 72, 75, 85 1024x768 = XGA@60, 70, 75, 85 1152x864 = MAC@70, 75, 85 1280x768 = WXGA@60RB, 60 1280x800 = WXGA@60RB, 60, 75 1280x960 = @60, 85 1280x1024 = SXGA@60, 75, 85 1366x768 = WXGA@60RB, 60 1440x1050 = @60RB, 60 1440x900 = WXGA@60RB, 60, 75 1600x1200 = UXGA@60 1680x1050 = WSXGA+@60RB, 60 1920x1200 = WUXGA@60RB HD: 480i@60, 480p@60, 576i@50, 576p@50, 720p@50, 720p@60, 1080i@50, 1080i@60, 1080p@24,

	1080p@50, 1080p@60
HDMI Audio Input	LPCM 2CH
HDMI input Color Space	RGB, YUV
ESD Protection	± 8kV (air-gap discharge) ± 4kV (contact discharge)
Power Supply	5V/1A DC (US/EU standards, CE/FCC/UL certified)
Dimensions (mm)	76(W) x 30(D) x 92(H)
Weight(g)	172
Chassis Material	Aluminum
Silkscreen Color	Silver
Operating Temperature	0°C~40°C / 32°F ~ 104°F
Storage temperature	-20°C~60°C / -4°F ~ 140°F
Relative Humidity	20~90% RH (no condensation)
Power Consumption (W)	3.3/W (Max)

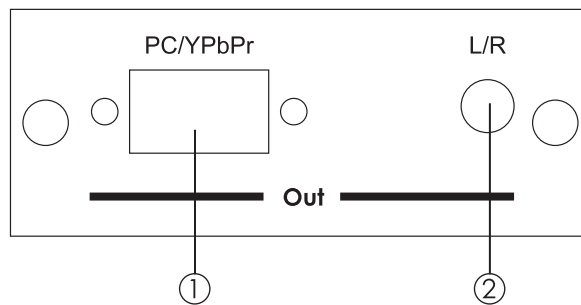
7. Operation Controls and Functions

7.1 Front Panel



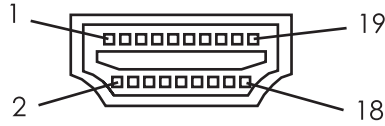
- ①. YPbPr/RGB switch:
Set the switch to RGB when your HDMI source equipment is PC graphic card or other digital RGB source signal. Use HD-15 to HD-15 VGA cable to connect between the unit's RGB out and RGB input of your PC monitor, or projector. Set the switch to YPbPr when your HDMI source is video source. Use a VGA to 3RCA adaptor cable to connect to unit's YPbPr out to YPbPr input connector of your HDTV.
- ②. HDMI input: Connect the HDMI input port to the HDMI output port of your source equipment such as set-top-box.
- ③. Power: Plug the 5VDC power supply into the unit and connect the adaptor to AC wall outlet.

7.2 Rear Panel

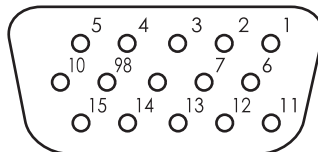


- ①. HD-15 D-Sub output: Connect the output port to the PC/YPbPr input of analog PC monitor, Projector or TV.
- ②. R/L Stereo audio output via 3.5mm phone jack.

8. HDMI Connector Pin Assignment



Pin#	Function Assignment	Pin#	Function Assignment
1	TMDS Data2+	2	TMDS Data2 Shield
3	TMDS Data2-	4	TMDS Data1+
5	TMDS Data1 Shield	6	TMDS Data1-
7	TMDS Data0+	8	TMDS Data0 Shield
9	TMDS Data0-	10	TMDS Clock+
11	TMDS Clock Shield	12	TMDS Clock-
13	CEC	14	Reserved (N.C. on device)
15	SCL	16	SDA
17	DDC/CEC Ground	18	+5V Power
19	Hot Plug Detect		



Output Format

B. Analog VGA output pin assignment when output switch set to RGB.

Part No.	Pin No.	Description (PC out)
DB15HD	1	RED
	2	GREEN
	3	BLUE
	4	NC
	5	GND (DDC-RETURN)
	6	GND-RED
	7	GND-GREEN
	8	GND-BLUE
	9	N.C
	10	GND-SYNC
	11	NC
	12	DDC-DATA
	13	H-SYNC
	14	V-SYNC
	15	DDC-CLOCK

C. Analog VGA output pin assignment when output switch set to YPbPr.

Part No.	Pin No.	Description (HD out)
DB15HD	1	Pr
	2	Y
	3	Pb
	4	NC
	5	GND (DDC-RETURN)
	6	GND-Pr
	7	GND-Y
	8	GND-Pb
	9	N.C
	10	GND-SYNC
	11	NC
	12	DDC-DATA
	13	H-SYNC
	14	V-SYNC
	15	DDC-CLOCK

9. Input/Output resolution

Input/ Output Resolution	Output switch	PC Output	Component Output
480i60			✓
480p60		✓	✓
576i50			✓
576p50		✓	✓
720p50		✓	✓
720p60		✓	✓
1080i50			✓
1080i60			✓
1080p24			✓
1080p50		✓	✓
1080p60		✓	✓
640x480@60,72,75,85		✓	
800x600@56,60,72,75,85		✓	
1024x768@60,70,75,85		✓	
1152x864@70,75,85		✓	
1280x768@60RB,60		✓	
1280x800@60RB,60,75		✓	
1280x960@60,85		✓	
1280x1024@60,75,85		✓	
1366x768@60RB,60		✓	
1400x1050@60RB,60		✓	
1440x900@60RB,60,75		✓	
1600x1200@60		✓	
1680x1050@60RB,60		✓	
1920x1200@60RB		✓	

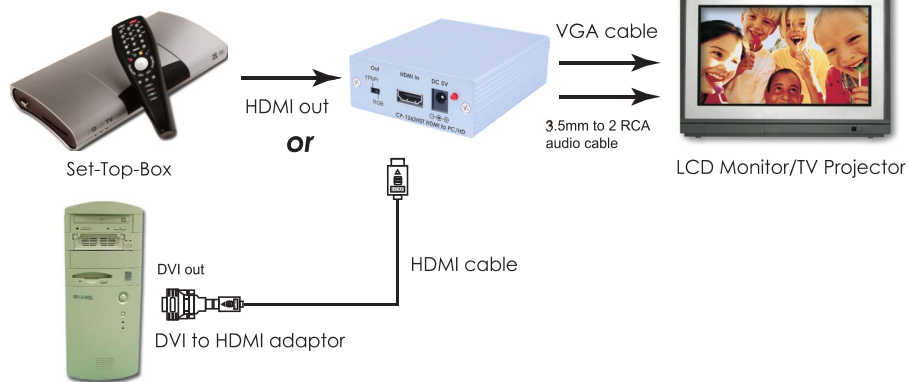
Note:

When the TV didn't support 1080p@24 input, the user needs to disable the 1080p@24 from source equipment, such as Blue-ray player or PS3 etc.).

This product does not process HDCP input. When receiving content that has HDCP encryption there will be no video & audio output.

8. Connection and Installation

Connection 1 (RGB out)



Connection 2 (YPbPr out)



Acronyms



Acronym

Complete Term

DVI	Digital Visual Interface
EDID	Extended Display Identification Data
HDCP	High-bandwidth Digital content protection
HDMI	High-Definition Multimedia Interface
MAC	Macintosh
PC	



CYPRESS TECHNOLOGY CO., LTD.
Home page: <http://www.cypress.com.tw>

MPM-CP1262HST