

DCT-9

Universal Digital / Analog Audio Converter

Operation Manual



• **Disclaimers**

The information in this manual has been carefully checked and is believed to be accurate. Cypress Technology assumes no responsibility for any infringements of patents or other rights of third parties which may result from its use.

Cypress Technology assumes no responsibility for any inaccuracies that may be contained in this document. Cypress also makes no commitment to update or to keep current the information contained in this document.

Cypress Technology reserves the right to make improvements to this document and/or product at any time and without notice.

• **Copyright Notice**

No part of this document may be reproduced, transmitted, transcribed, stored in a retrieval system, or any of its part translated into any language or computer file, in any form or by any means - electronic, mechanical, magnetic, optical, chemical, manual, or otherwise - without express written permission and consent from Cypress Technology.

© Copyright 2009 by Cypress Technology.
All Rights Reserved.
Version 1.0 July 2009

• **Trademark Acknowledgments**

All products or service names mentioned in this document may be trademarks of the companies with which they are associated.

• **Safety Precautions**

Please read all instructions before attempting to unpack or install or operate this equipment, and before connecting the power supply. Please keep the following in mind as you unpack and install this equipment:

- Always follow basic safety precautions to reduce the risk of fire, electrical shock and injury to persons.
- To prevent fire or shock hazard, do not expose the unit to rain, moisture or install this product near water.
- Never spill liquid of any kind on or into this product.
- Never push an object of any kind into this product through module openings or empty slots, as you may damage parts.
- Do not attach the power supply cables to building surfaces.
- Do not allow anything to rest on the power cables or allow it to be abused by persons walking on it.
- To protect the equipment from overheating, do not block the slots and openings in the module housing that provide ventilation.

• **Revision History**

<u>Version No</u>	<u>Date</u>	<u>Summary of Change</u>
V1	20090713	Preliminary Release

Table of Contents

1.	Introduction.....	1
2.	Applications.....	1
3.	Packaae Contents.....	1
4.	System Reaquirements.....	1
5.	Features.....	1
6.	Specifications.....	2
7.	Operation Controls and Functions.....	3
	7.1 Top Panel	3
	7.2 Riahrt Panel	3
	7.3 Left Panel	4
	7.4 Back Panel	4
8.	Connection and Installation	5

1. Introduction

This comprehensive audio converter device allows users to make a wide use with audio format and interfaces. With three different types of bidirectional connectors of optical, Coaxial and L/R, this device can convert all three signals into the desired format. Analogue audio signal can be converted into digital output and digital audio signal can be converted into analogue output. Not only so, it can be performed simultaneously without any signal loss. The audio converter is compact and elegant, it is easy to set up and friendly use.

2. Applications

- Analogue audio signal convert into digital output
- Digital audio signal convert into analogue output
- Simultaneously digital and analogue audio display

3. Package Contents

- Universal Digital / Analogue Audio Converter
- Power Adaptor
- Operational Manual

4. System Requirements

Input audio source(s) equipments with connection cable(s) and output signal with connection cables.

5. Features

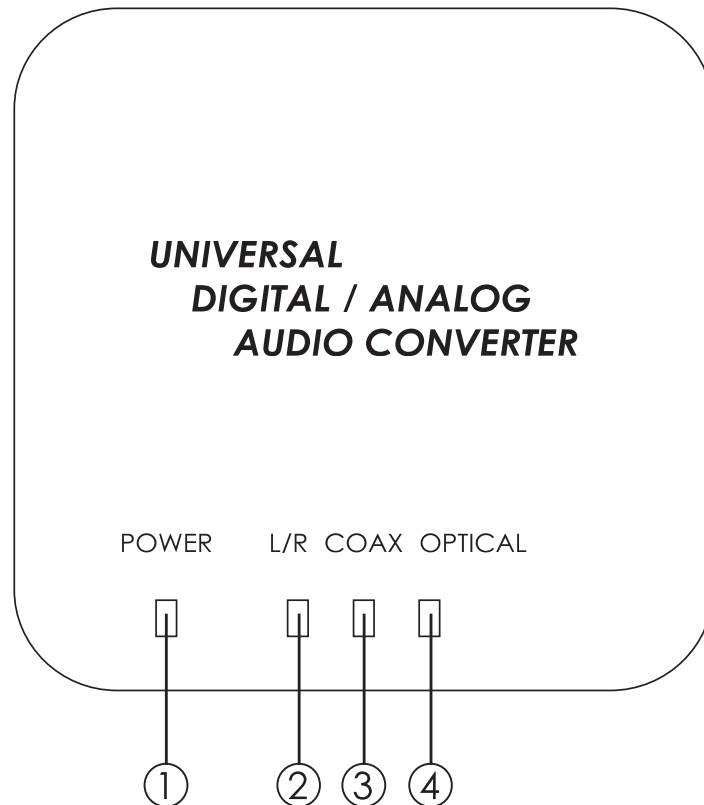
- Integrated digital interpolator filter and Digital-to-Analogue Converter (DAC)
- Integrated Analogue-to-Digital Converter (ADC)
- Supports sampling frequencies from 16 to 100kHz
- Provides electromagnetic-noise-free transmission
- Easy to install and to operate
- Compact size with elegant design

6. Specifications

Input Port	Optical, Coaxial and L/R
Input Format	Toslink, SPIDIF and LPCM 2CH
Sample Frequency	32kHz, 44.1kHz, 48kHz and 96kHz
Output Ports	Coaxial, Optical and L/R
Output Level	2Vp-p
Output Impedance	100Ω
ESD Protection	Humand body model: ± 10kV (air-dap discharge) ± 6kV (contact discharge) Core chipset: ± 2kV
Power Supply	5V / 1A DC (US/EU standard, CE/FCC/UL certified)
Dimensions(mm)	97(W) x 85(D) x 35(H)
Weight(g)	120
Chassis Material	Plastic
Silkscreen Color	White
Operatina Temperature	0°C~40°C / 32 °F~104 °F
Storage Temperature	-20°C~60°C / -4 °F~140 °F
Power Consumption	1W
Relative Humidity	20~90% RH (non-condensing)

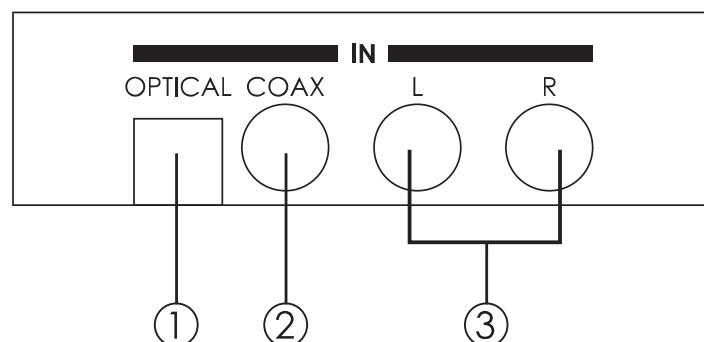
7. Operation Controls and Functions

7.1 Top Panel



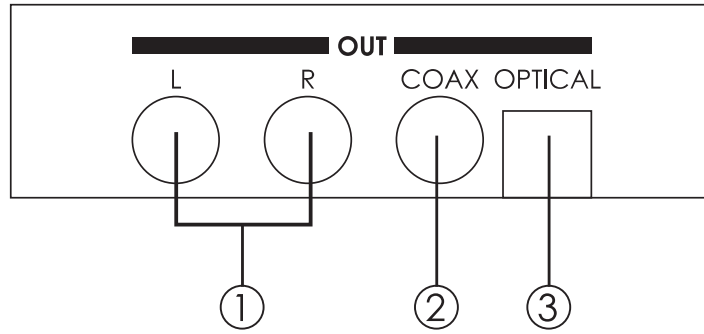
- ① Power LED indicator.
- ② Input Analog 2CH LED indicator.
- ③ Input COAX LED indicator.
- ④ Input OPTICAL LED indicator.

7.2 Right Panel



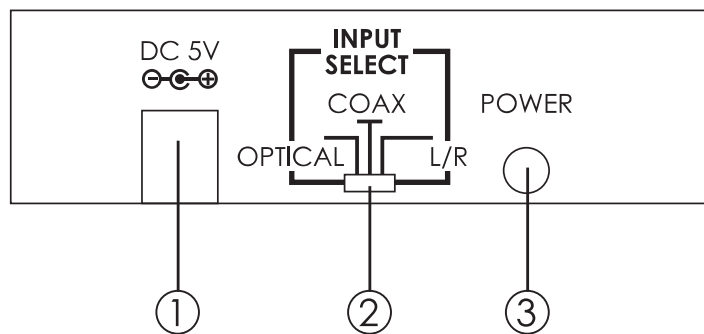
- ① OPTICAL: Connect from audio source equipment's optical audio output with optical cable.
- ② COAX: Connect from audio source equipment's coaxial audio output with coaxial cable.
- ③ L/R: Connect from audio source equipment's L/R audio output with L/R RCA jack cable.

7.3 Left Panel



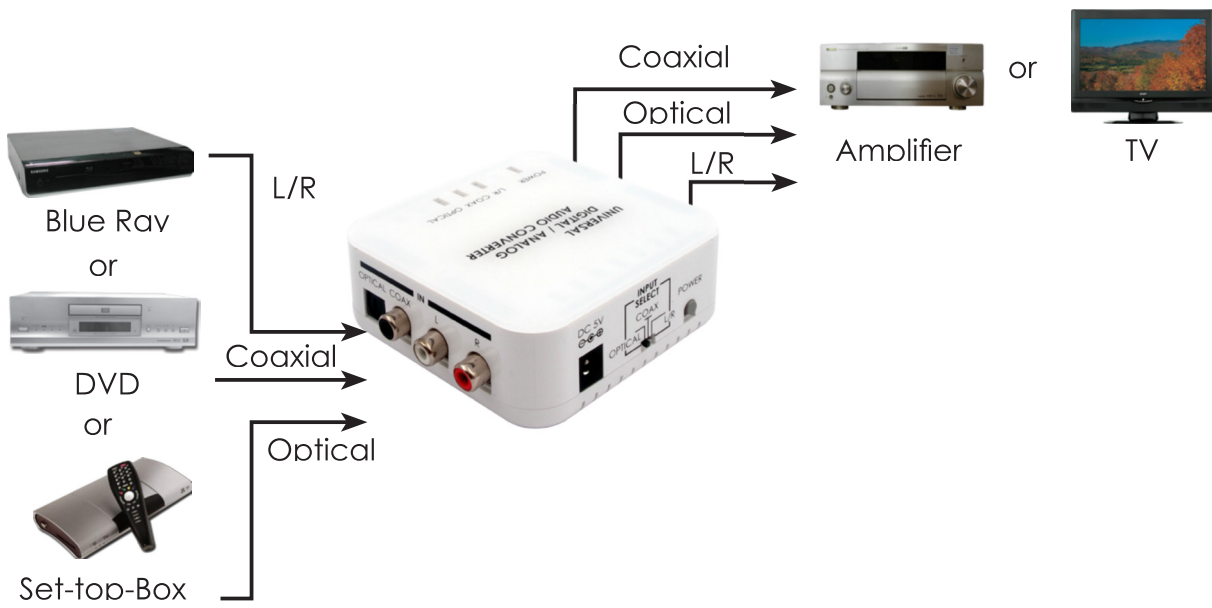
- ① L/R: Connect to audio equipment's L/R input such like TV or amplifier with L/R RCA iack cable.
- ② COAX: Connect to audio equipment's coaxial input such like TV or amplifier with coaxial cable.
- ③ OPTICAL: Connect to audio display equipment's optical input such like TV or amplifier with optical cable.

7.4 Back Panel



- ① DC 5V Power Jack: Plug 5V 1A DC power supply into the unit and connect the adaptor to AC wall outlet.
- ② INPUT SELECT: Use this switcher to select input from optical, coaxial or L/R.
- ③ Power Switch: Push to button to turn on or switch off the device.

8. Connection and Installation



Acronyms



Acronym

Complete Term



CYPRESS TECHNOLOGY CO., LTD.
Home page: <http://www.cypress.com.tw>

20090810 MPM-DCT9